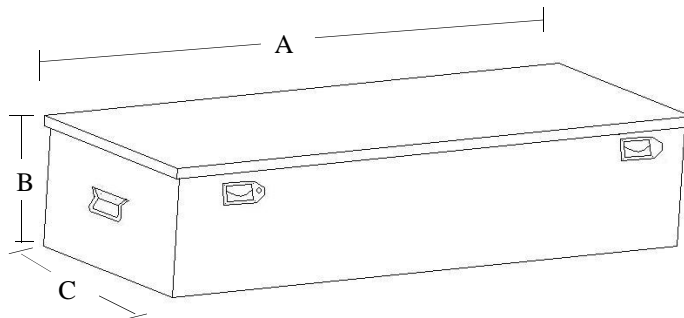


5th Wheel / RV Box

- Chest style box for convenient maneuvering.
- Constructed of heavy-duty diamond tread aluminum.
- Adjustable stainless steel connecting lockable paddle latch system allows access from either side; rod & latch guards included.
- 2 side chest handles make transportation effortless.
- Fits behind wheel well, leaving clearance for a 5th wheel hookup.
- Full rubber automotive grade seal surrounds entire perimeter of lid openings.



Part #	A	B	C	UPS	Weight
TB200-57	57"	12"	20 ¼"	Y*	42

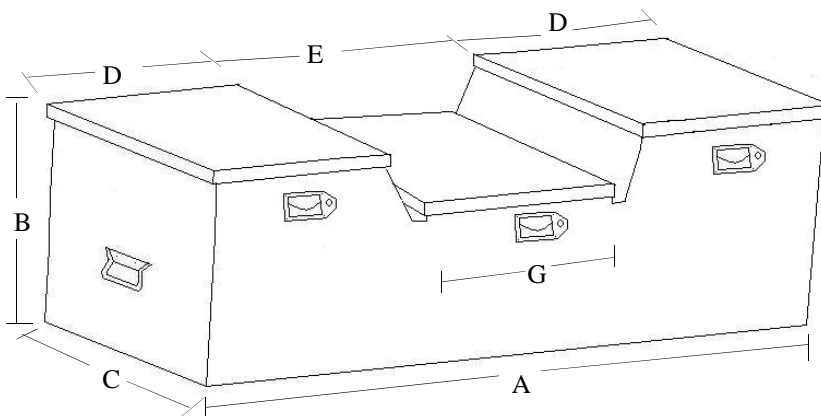
* Ship as FedEx Oversize based on dimensional weight.

“V” Style 5th Wheel / RV Box

- 3 Lid style box allows for easy access.
- Constructed of heavy duty diamond tread aluminum.
- Adjustable stainless steel lockable paddle latches allow access to each lid equipped with individual shocks.
- Includes 2 side chest handles.
- Dividers separate the three individual compartments.
- Fits perfectly behind wheel well, leaving clearance for a 5th wheel hookup.
- Full rubber automotive grade seal surrounds entire perimeter of lid openings.

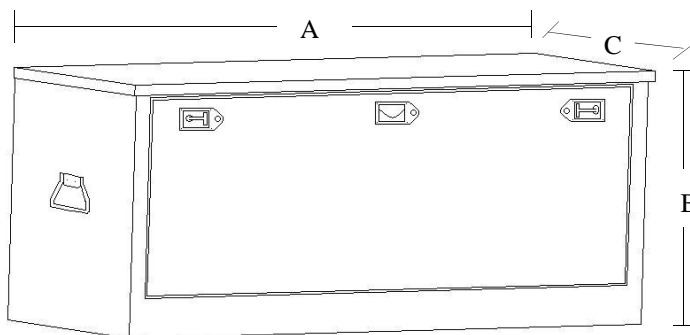
Part #	A	B	C	D	E	F	G	UPS	Weight
TB203-57	57"	15 ¼"	19"	15"	27"	5"	12"	Y*	43

* Ship as FedEx Oversize 3 based on dimensional weight.



SUV Tailgate Boxes

- Tailgating style box.
- Constructed of heavy-duty diamond tread aluminum.
- Top lid opens with an adjustable stainless steel lockable paddle latch and 2 gas shocks.
- Front of box opens down with 2 stainless steel folding “T” handles and 2 stainless steel automotive grade cables allow for use as a tabletop; also includes 2 side chest handles.
- Hitch bars for mounting may be purchased if needed.
- Full rubber automotive grade seal surrounds entire perimeter of lid openings.



Part #	A	B	C	Table Size	UPS	Weight
TG48	47"	21 ½"	20 ½"	18 ¼" x 43	N	50
TG60	60"	24"	20 ½"	18 ¼" x 56	N	75

Sizes and weights are nominal

All products available with black powder coat—Add “-B” to end of part number. (eg. TB200-57-B)