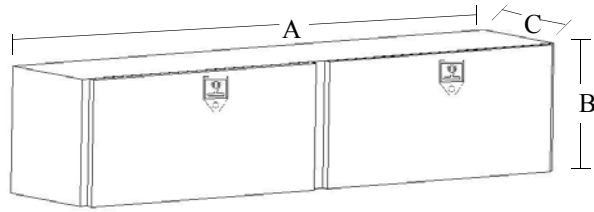


**Standard Topsider Boxes**

- Constructed of heavy-duty diamond tread aluminum.
- Folding stainless steel “T” handle and 2 automotive grade stainless steel cables give access to each front opening door. (48 & 72” topsiders have one full door.)
- Full automotive grade weather stripping keeps moisture and dust out.
- Mounting legs & hardware included.

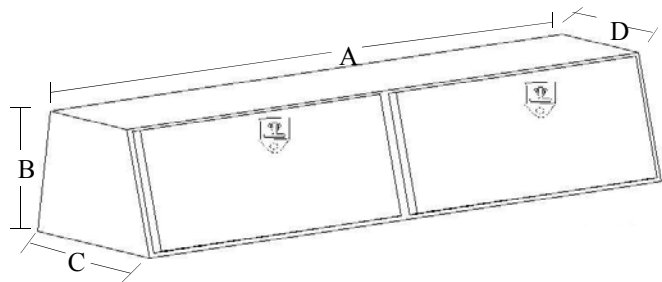


Part #	A	B	C	UPS	Weight
TB100-48	48”	16”	15”	Y*	35
TB100-72	72”	16”	15”	N	43
TB100-88D	88”	16”	15”	N	53
TB100-90D	90”	16”	15”	N	58
TB100-96D	96”	16”	15”	N	68

\* Ship as FedEx Oversize based on dimensional weight.

**Slanted Topsider Boxes**

- Constructed of heavy-duty diamond tread aluminum.
- Slanted design matches angle of cab.
- Folding stainless steel “T” handle and 2 automotive grade stainless steel cables give access to each front opening door. (48 & 72” topsiders have one full door.)
- Full automotive grade weather stripping keeps moisture and dust out.
- Mounting legs & hardware included.

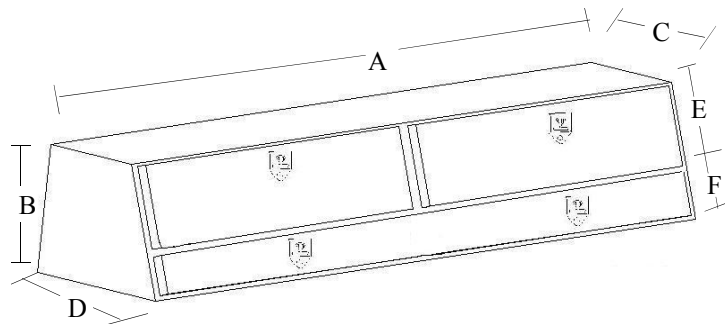


Part #	A	B	C	D	UPS	Weight
TBS100-48	48”	16”	14 ¼”	10 ⅜”	Y*	33
TBS100-72	72”	16”	14 ¼”	10 ⅜”	N	41
TBS100-88D	88”	16”	14 ¼”	10 ⅜”	N	51
TBS100-90D	90”	16”	14 ¼”	10 ⅜”	N	56
TBS100-96D	96”	16”	14 ¼”	10 ⅜”	N	66

\* Ship as FedEx Oversize based on dimensional weight.

**Contractor Style Topsider Boxes**

- Constructed of heavy-duty diamond tread aluminum.
- Slanted double level designed to match the cab angle.
- Full length lower compartment opens down with 2 folding stainless steel “T” handles and 2 automotive grade cables. (48” only 1 handle)
- Upper compartment features 2 top opening doors with gas shocks & folding stainless steel “T” handle. (48 & 72” topsiders have one full door.)
- Full automotive grade weather stripping keeps moisture and dust out.
- Mounting legs & hardware included.



\* Ship as FedEx Oversize based on dimensional weight.

Part #	A	B	C	D	E	F	UPS	Weight
TBS200-48	48”	21”	10”	13 ½”	13”	8”	Y*	40
TBS200-72	72”	21”	10”	13 ½”	13”	8”	N	48
TBS200-88D	88”	21”	10”	13 ½”	13”	8”	N	58
TBS200-90D	90”	21”	10”	13 ½”	13”	8”	N	63
TBS200-96D	96”	21”	10”	13 ½”	13”	8”	N	73

Sizes and weights are nominal  
 All products available with black powder coat—  
 Add “-B” to end of part number.  
 (eg. TBS200-96D-B)